

## FP-31-1000

### Highlights

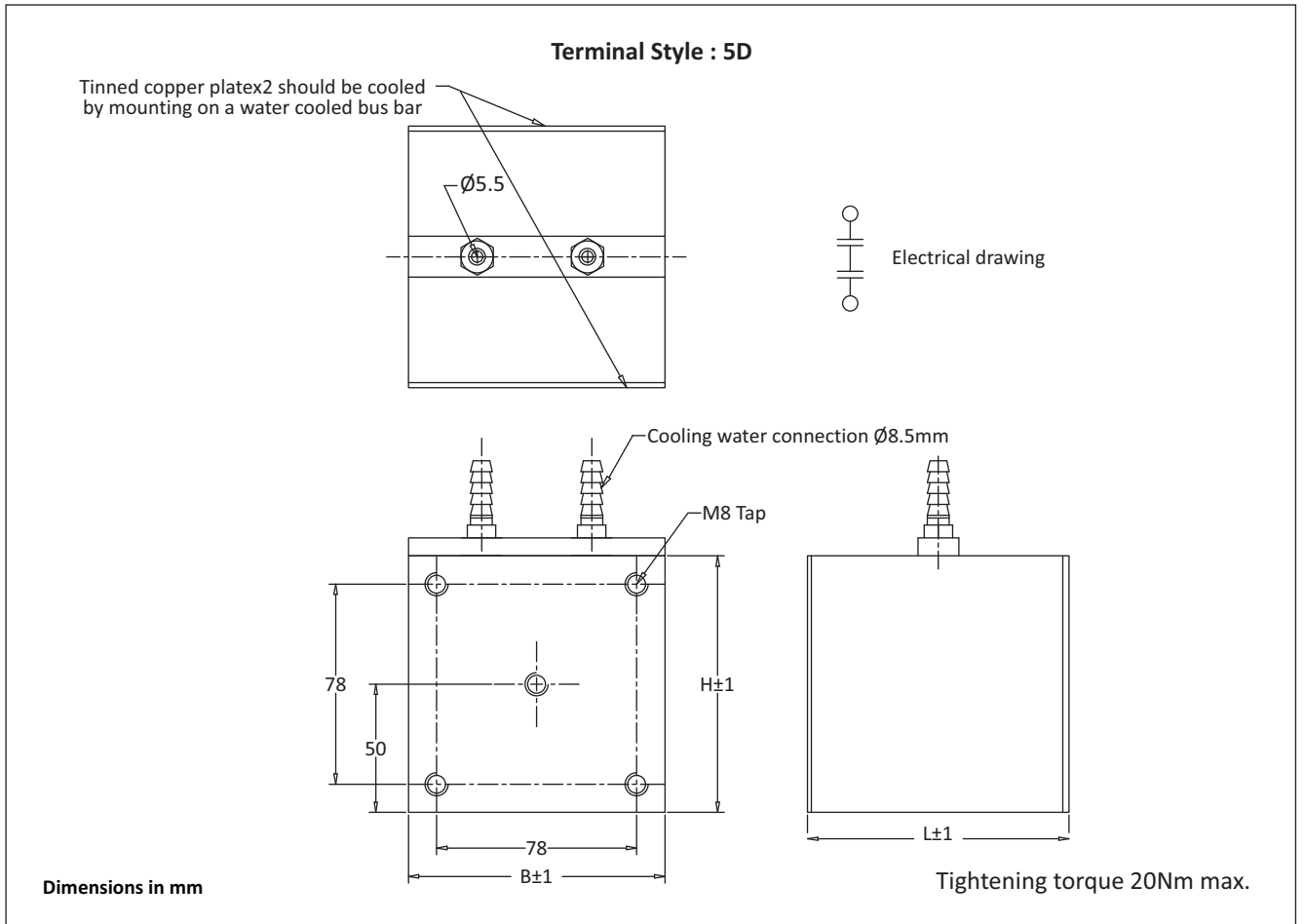
- Conduction cooled + water cooled
- Polypropylene dielectric
- Self-healing
- Operating frequency up to 100 KHz



### Standard Capacitor Values

Rated Voltage Vrms	Nominal capacitance MFD at 1KHz	Max current Irms	Max power Kvar	Frequency KHz	Dimensions mm			Case Code	Terminal Style	Ordering Code
					B	H	L			
1000	5.00	1100	1000	32-39	106	106	124	G9	5D	SP000051000BD0G9005DK01
800	10.00	1250	1000	25-25	106	106	124	G9	5D	SP000100800BD0G9005DK01
700	15.00	1450	1000	22-22	106	106	124	G9	5D	SP000150700BD0G9005DK01
600	20.00	1700	1000	22-22	106	106	124	G9	5D	SP000200600BD0G9005DK01

### Capacitor Drawing and Terminal Style



## FP-31-1000

### Frequency Derating

—◆— Voltage    —■— Current    —▲— Power

